

Standard Wavelength Division Multiplexer (SWDM)

Standard WDM with 1310/1550nm wavelength.
Wavelength bandwidth +/- 15nm

Fused Biconical Tapered (FBT) Couplers

FBT couplers are fabricated by placing two standard single-mode fibers side by side, twisting them together to bring them into strong contact and thermally fusing them while elongating the fused region. After the tapering process, the couplers will be potted and mounted in small and rugged packages.



Features

- Low excess loss
- Low insertion loss
- Excellent uniformity
- Environmentally stable and reliable
- Small size for miniaturized systems
- Can be manufactured according to customer specifications
- Compliant to Telcordia GR-1221

Applications

- Passive Optical Network (PON)
- Optical fiber amplifier
- Cable TV
- Measuring instruments and equipment

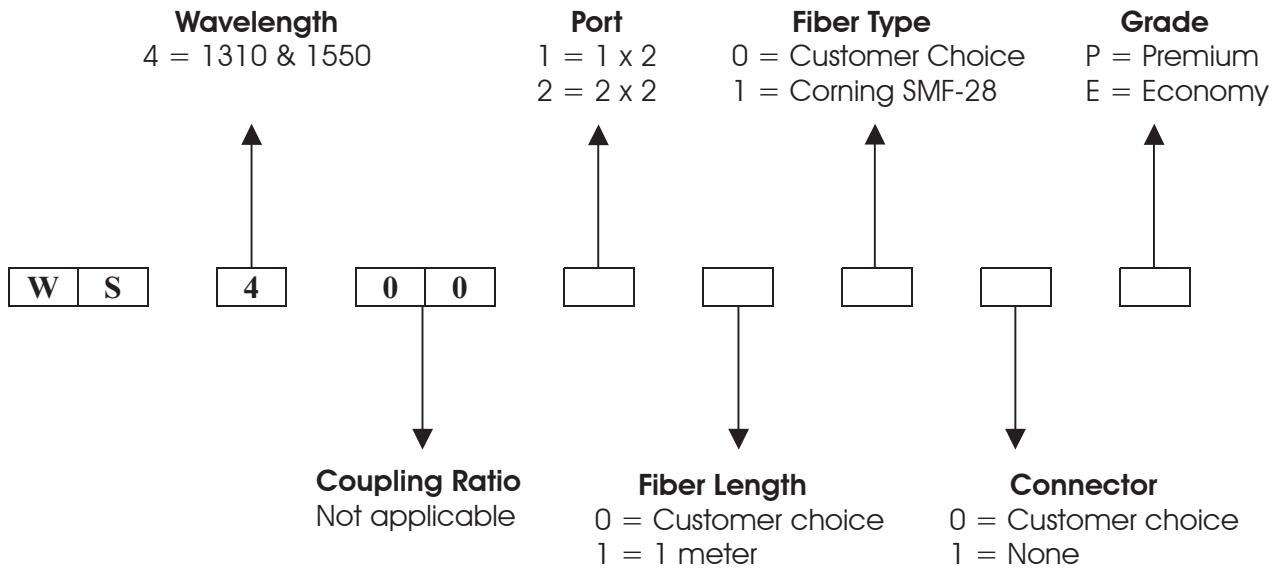
Specifications

Parameters		Unit	Premium		Economy	
			1310	1550	1310	1550
Operating Wavelength		nm	1310 / 1550			
Insertion Loss*	Max.	dB	0.3	0.3	0.5	0.5
Isolation	Min.	dB	17	17	16	16
Wavelength Bandwidth		nm	±15			
Polarization Dependent Loss	Max.	dB	0.1		0.15	0.2
Directivity	Min.	dB	60			
Temperature Coefficient	Max.	dB / °C	0.002			
Operating Temperature Range**		°C	-40 to +85			
Storage Temperature Range**		°C	-50 to +85			
Package Dimensions		mm	3.0(OD) x 52(L)			

* without Connector

** -20 to +70°C for 2.4 mm cable

SWDM Ordering Information



Note:

1. Warranty from manufacturing defect for a one year period.
2. Available for OEM orders.
3. Photronix Technologies reserves the right to make changes to the product described herein without notice.